

Assembly Instructions, Drainage Sleeve 29223

1. Apply age-resistant adhesive/sealant to the ribbed surface of the LK Drainage Plug Art.no. 188 84 88.
2. Insert the plug into the outlet pipe from inside the cabinet. Press it in until the top and the uppermost rib are positioned 5 mm below the bottom of the cabinet.

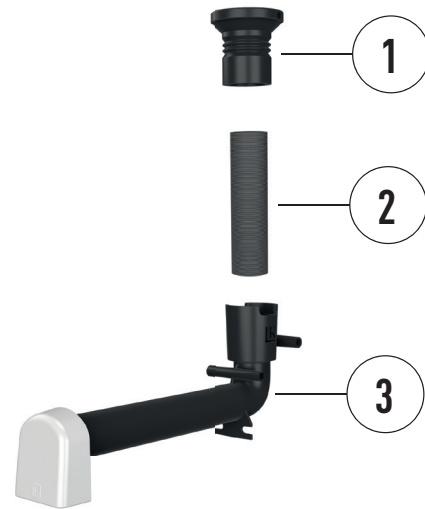


LK Drainage Plug, art. no.188 84 88.

3. Seal with age-resistant adhesive/sealant between the plug and the outlet pipe inside the cabinet.

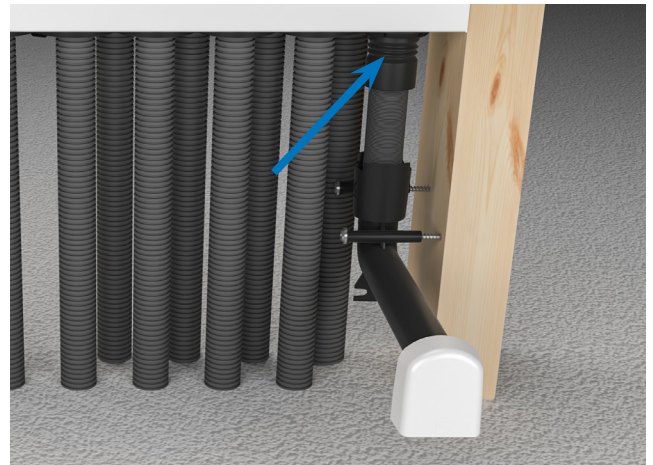


LK Drainage Plug in the bottom of the cabinet.



1. Drainage Sleeve, article number 29223.
2. Protective conduit.
3. Drainage elbow with outlet plate.

4. Install the LK Drainage elbow in any 40 mm hole in the bottom of the cabinet.
5. Push the protective conduit pipe 20 mm into the drainage sleeve, then connect the drainage elbow to the protective conduit pipe. Ensure that the protective conduit pipe bottoms out in the drainage elbow, approximately 20 mm deep. Then secure the drainage elbow in a suitable position against a wall stud using the two supplied mounting screws in any of the available mounting holes. Make sure the protective conduit pipe is installed with a continuous slope towards the outlet and that it is properly fastened with clamps.



LK Drainage sleeve installed with protective conduit pipe and drainage elbow with outlet plate.

